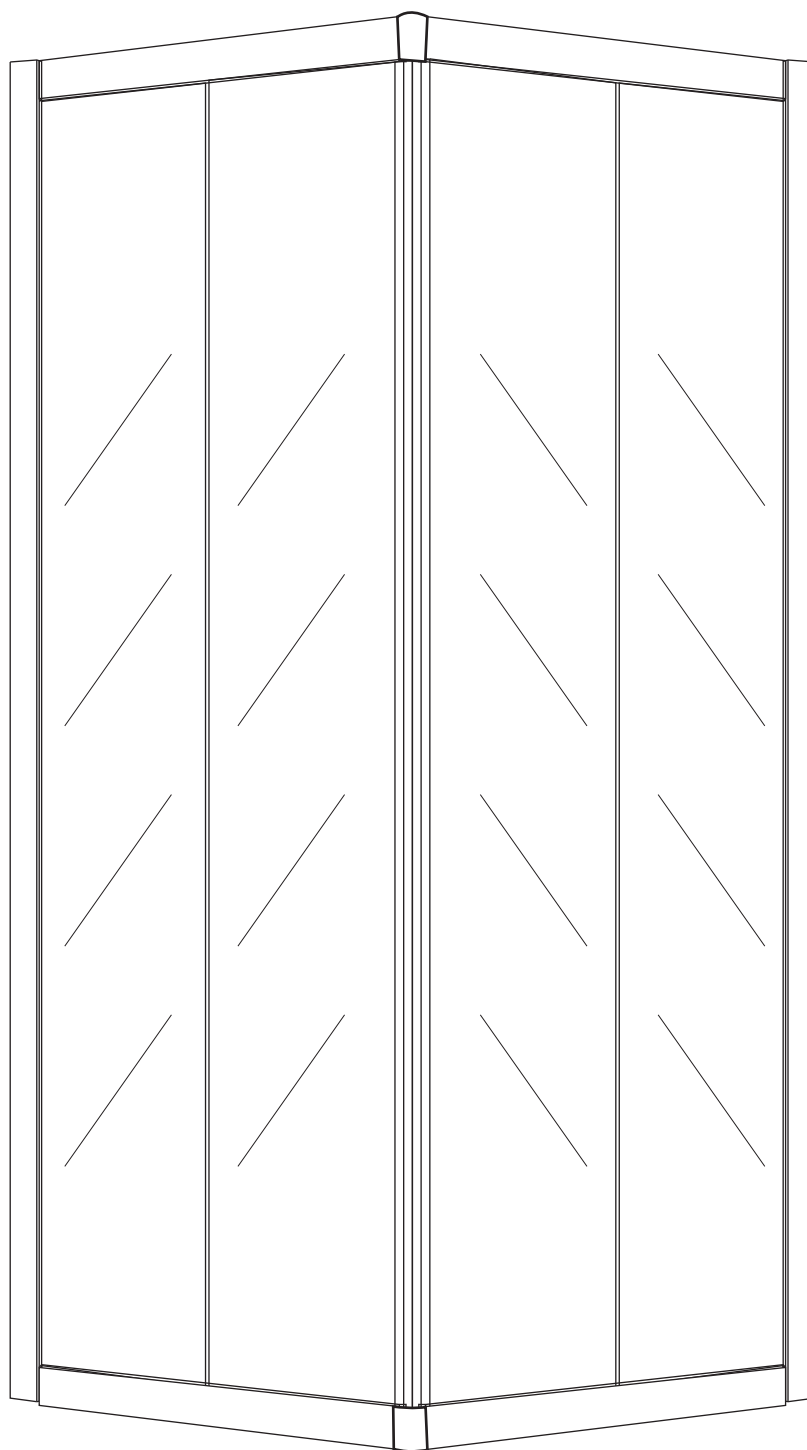


BR-020

Installation instructions

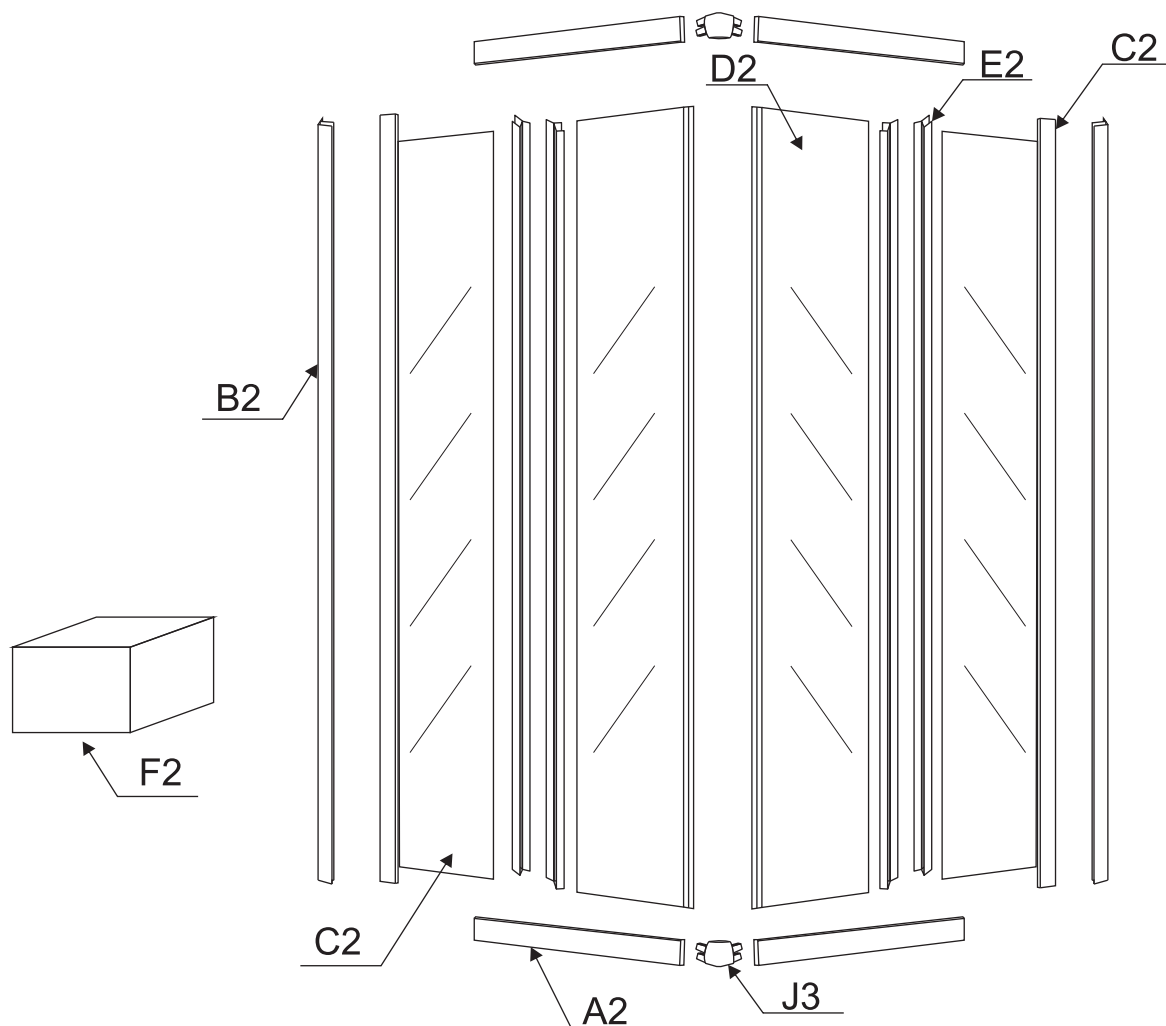


SIZE:70*90*185CM

SIZE:80*80*185CM











BR-020

Installation instructions



F2 Fixing kit includes

Ref	Description	Qty
A2	RAIL	4
B2	WALL PROFILE	2
C2	SIDE PANEL	2
D2	SLIDING DOOR	2
E2	VERTICAL SEAL FOR FIXED GLASS	4
F2	FIXING KIT	1

Ref	Description	Illustration	Qty
A3	Top-wheel		4
B3	Down-wheel		4
C3	u-shaped clip		4
D3	stainless steel screws: 4*40		8
E3	stainless steel screws: 4*25		8
F3	stainless steel screws: 4*12		8
G3	stainless steel screws: 4*10		8
H3	expandable wall plug		8
I3	Drill beat head 3mm		1
J3	plastic angle for track		2

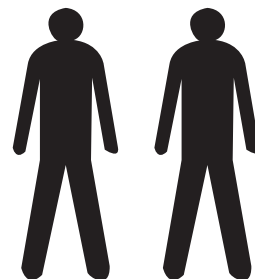
BR-020

Installation instructions

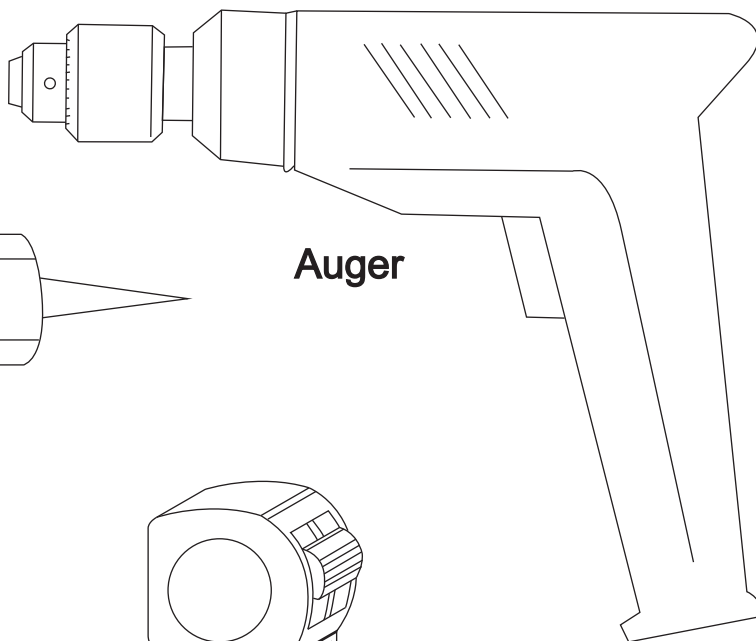
TOOLS REQUIRED(NOT SUPPLIED)

when you're ready to start,make sure that you have the following tools to hand,plenty of space and a clean dry area for assembly.

Two people are needed. Please note:although these instructions are comprehensive,We always recommend that a technically competent installer should undertake installation.

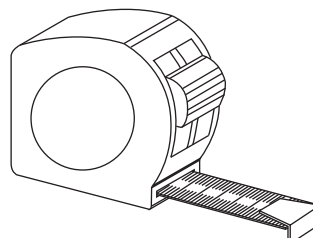
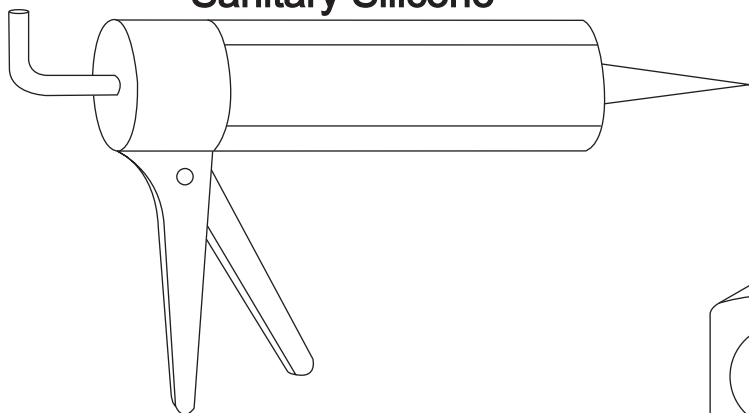


Drill beat head
6mm

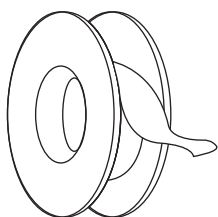


Auger

Sanitary Silicone



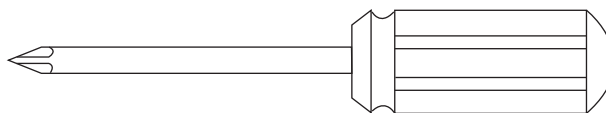
Tape measure



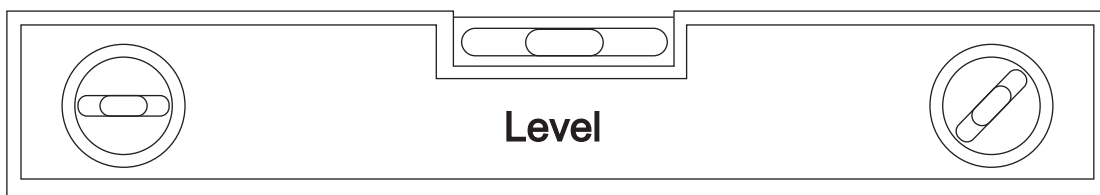
PTFE tape



Pencil



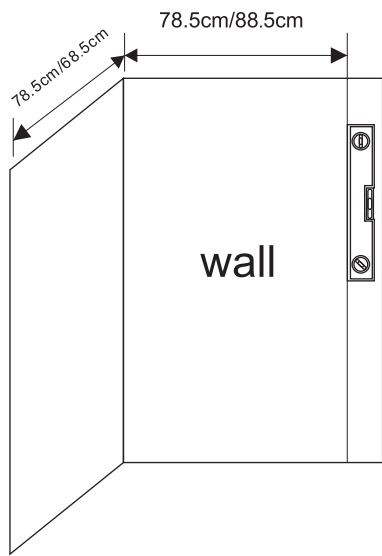
Magnetic crosshead schewdriver



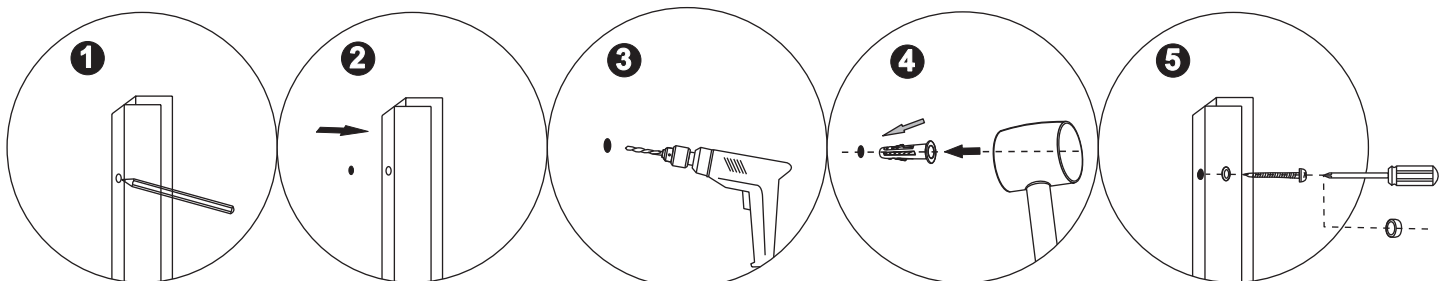
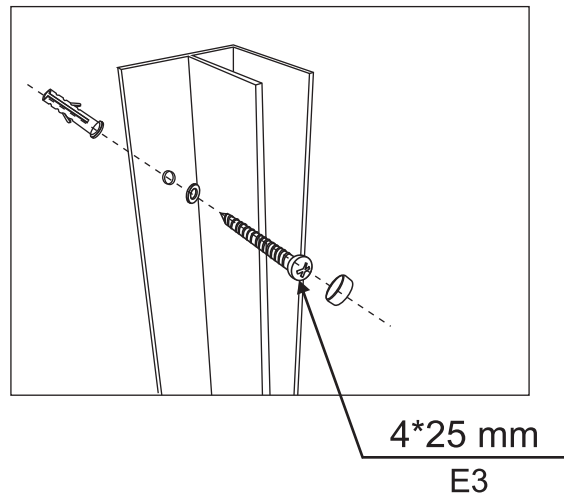
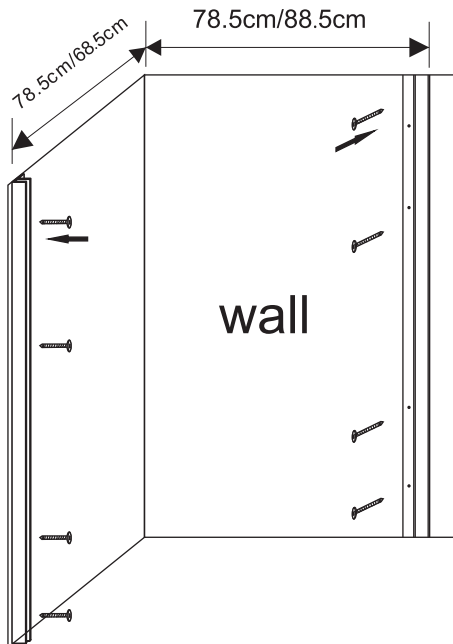
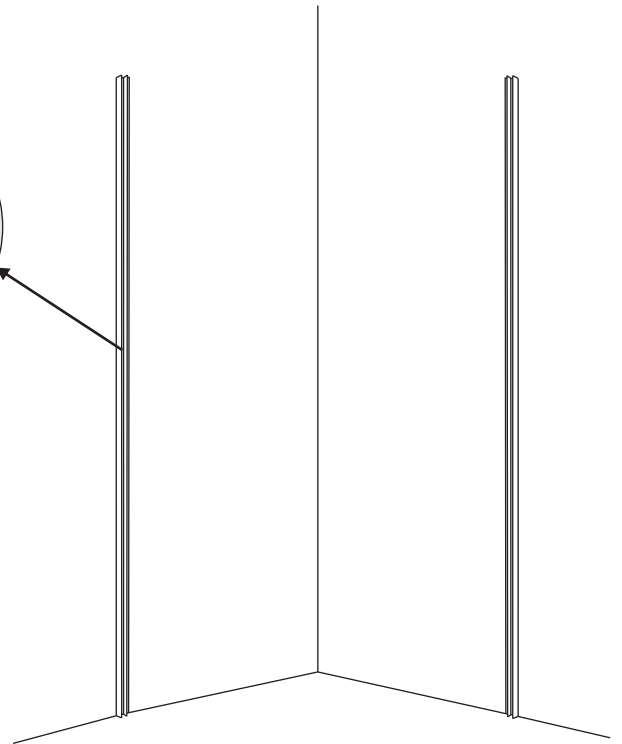
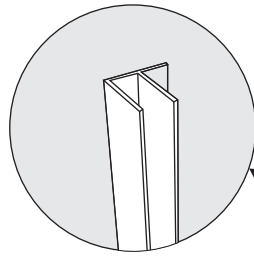
Level

BR-020

Installation instructions

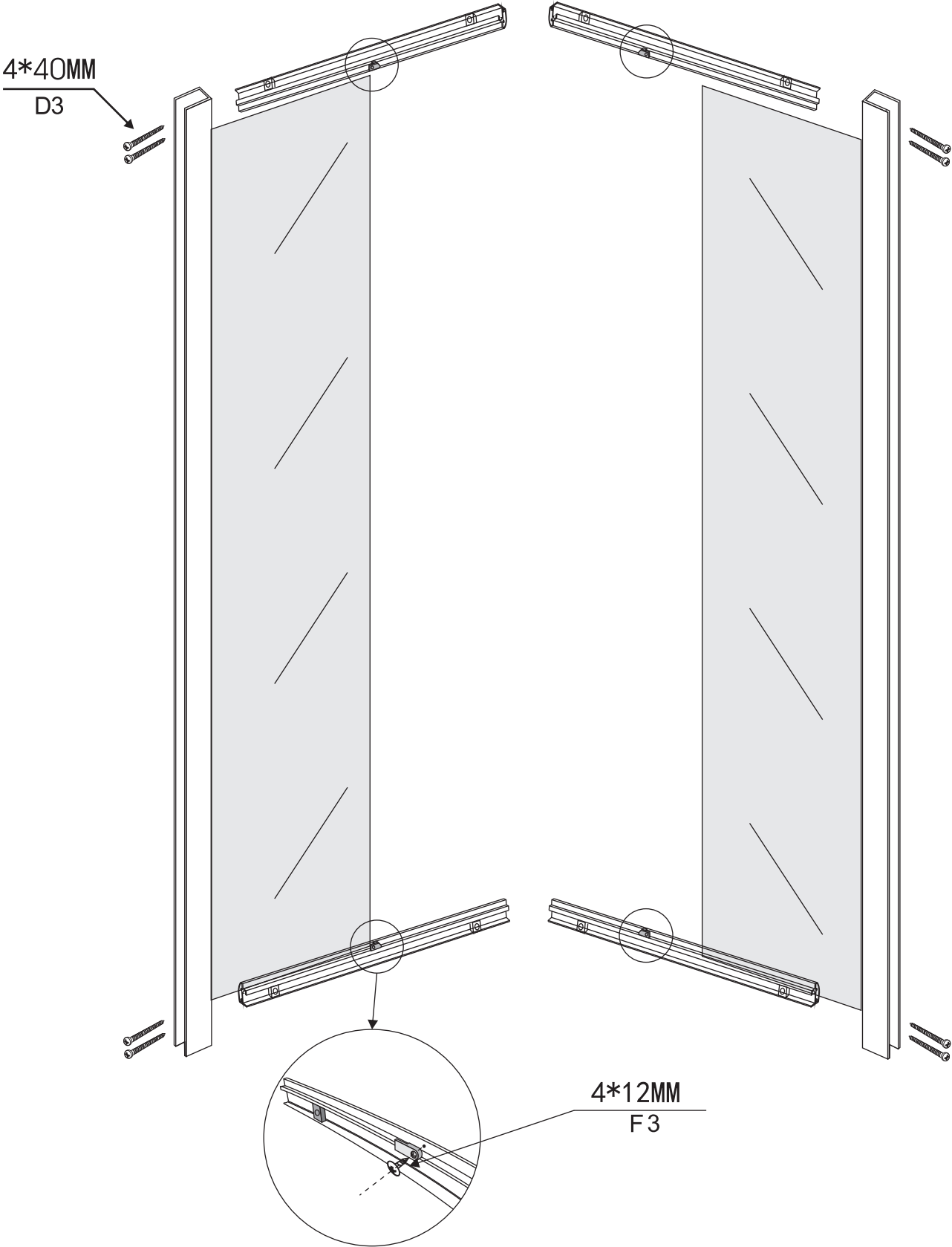


78.5cm for 80*80*185
68.5cm*88.5cm for 70*90*185



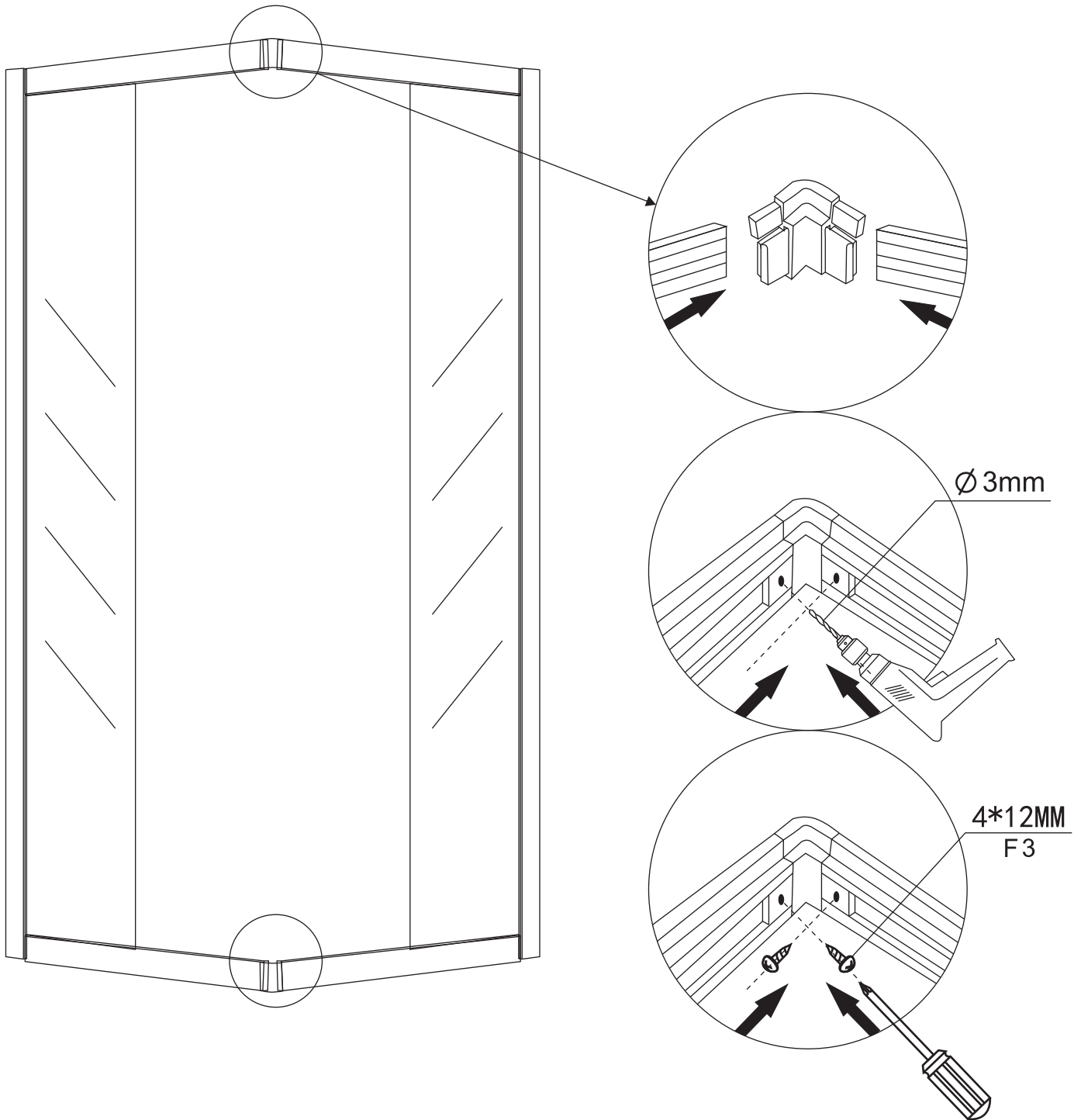
BR-020

Installation instructions



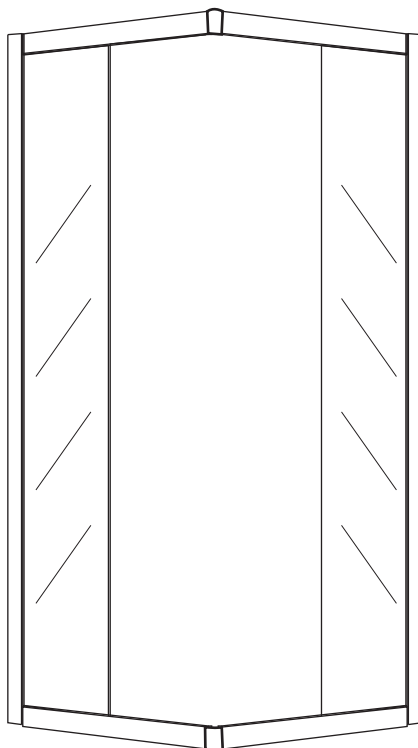
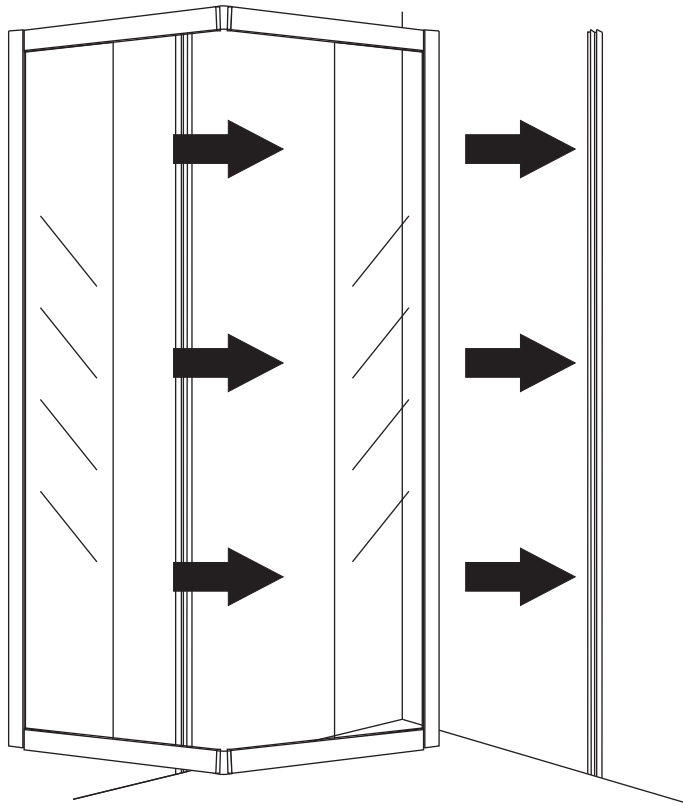
BR-020

Installation instructions



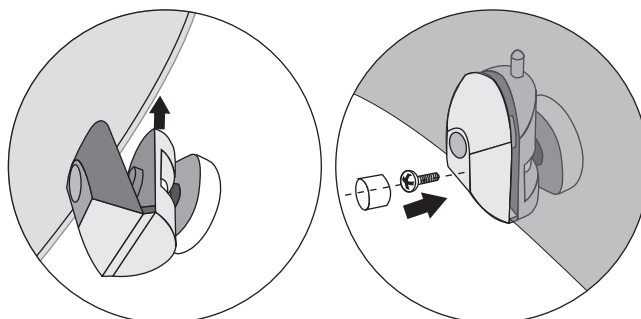
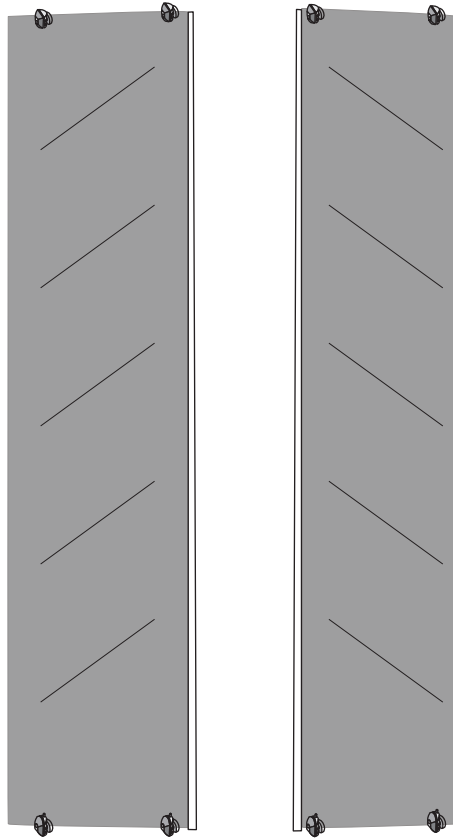
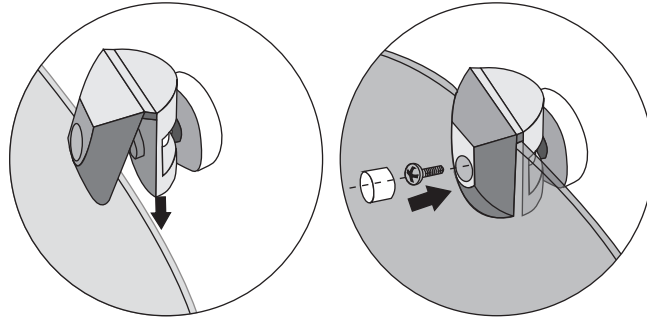
BR-020

Installation instructions



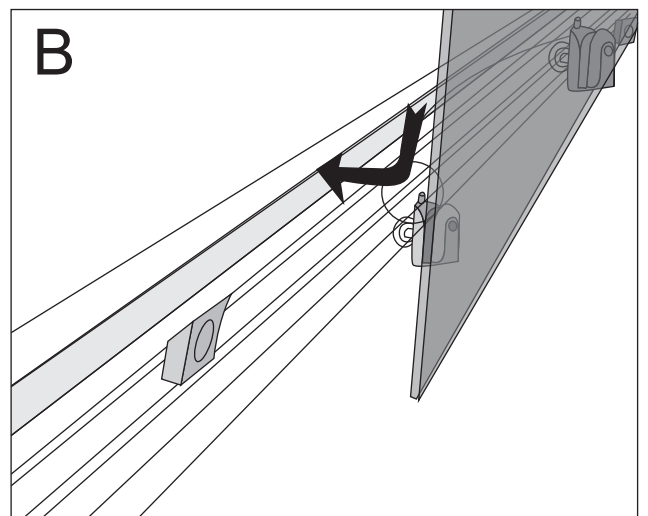
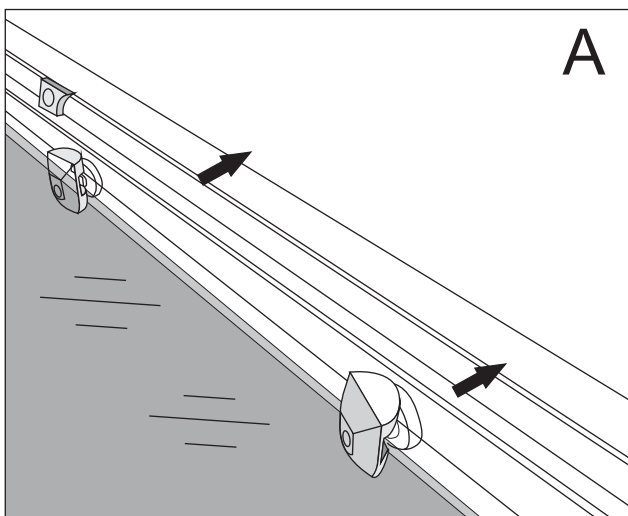
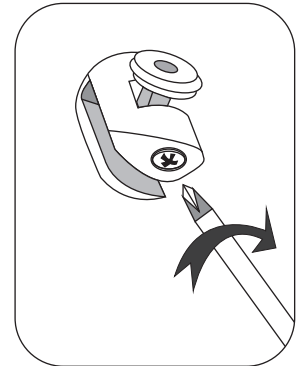
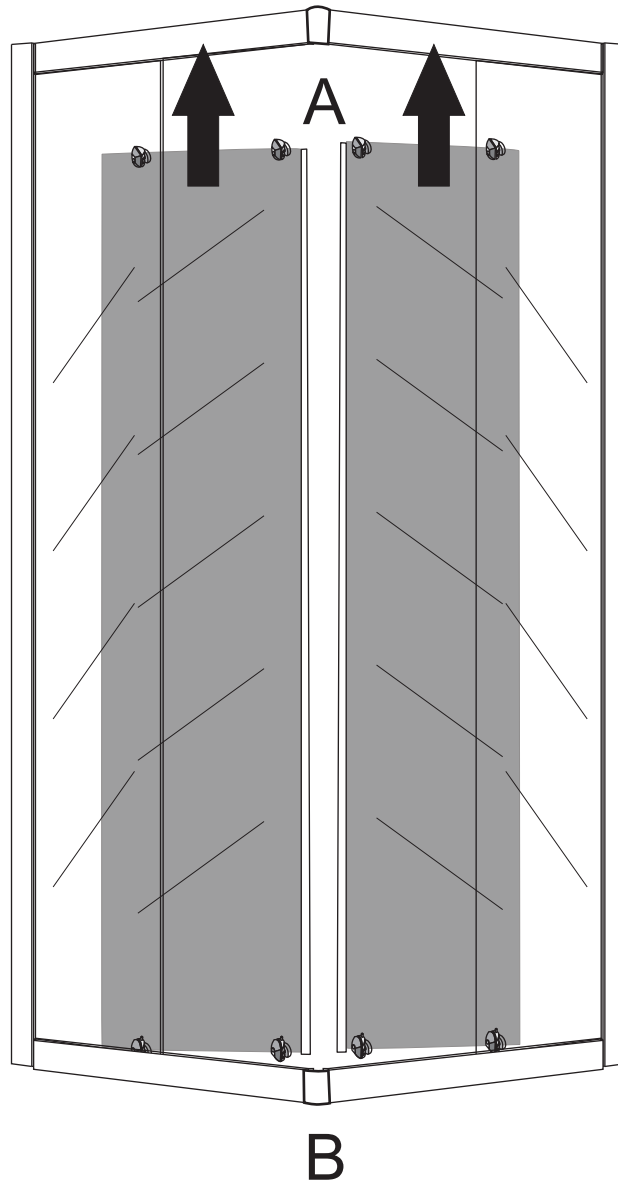
BR-020

Installation instructions



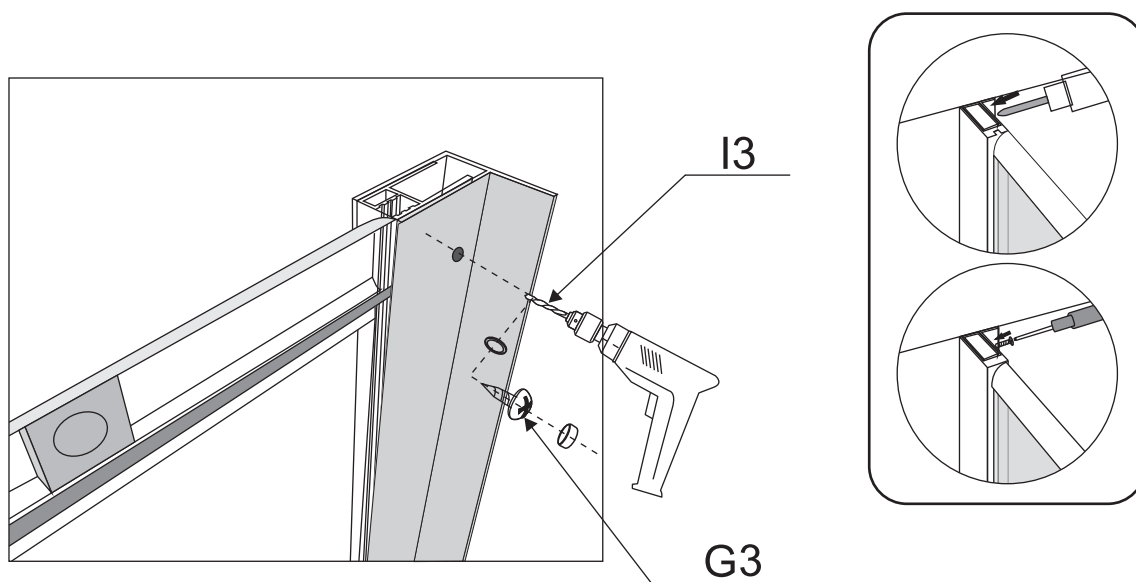
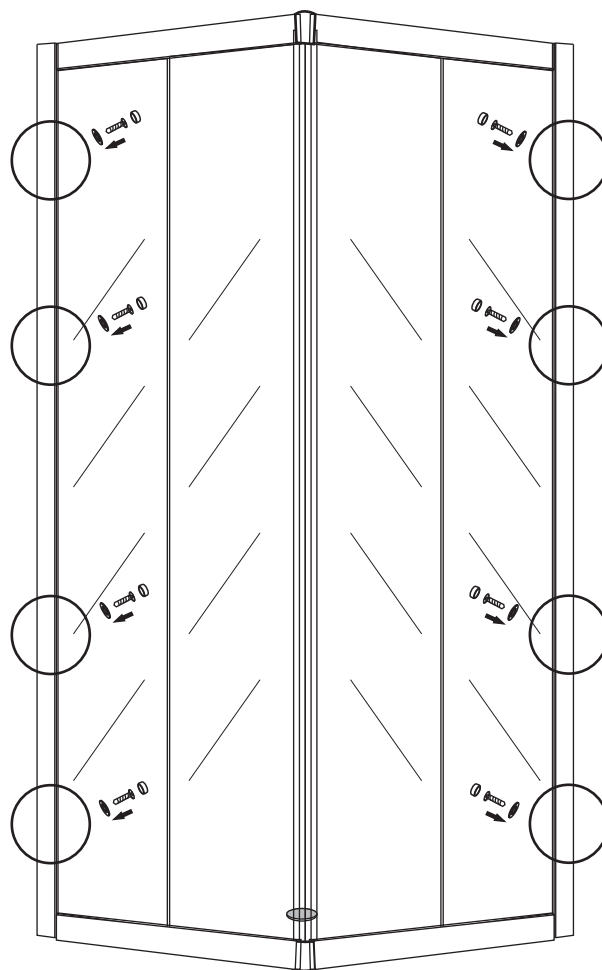
BR-020

Installation instructions



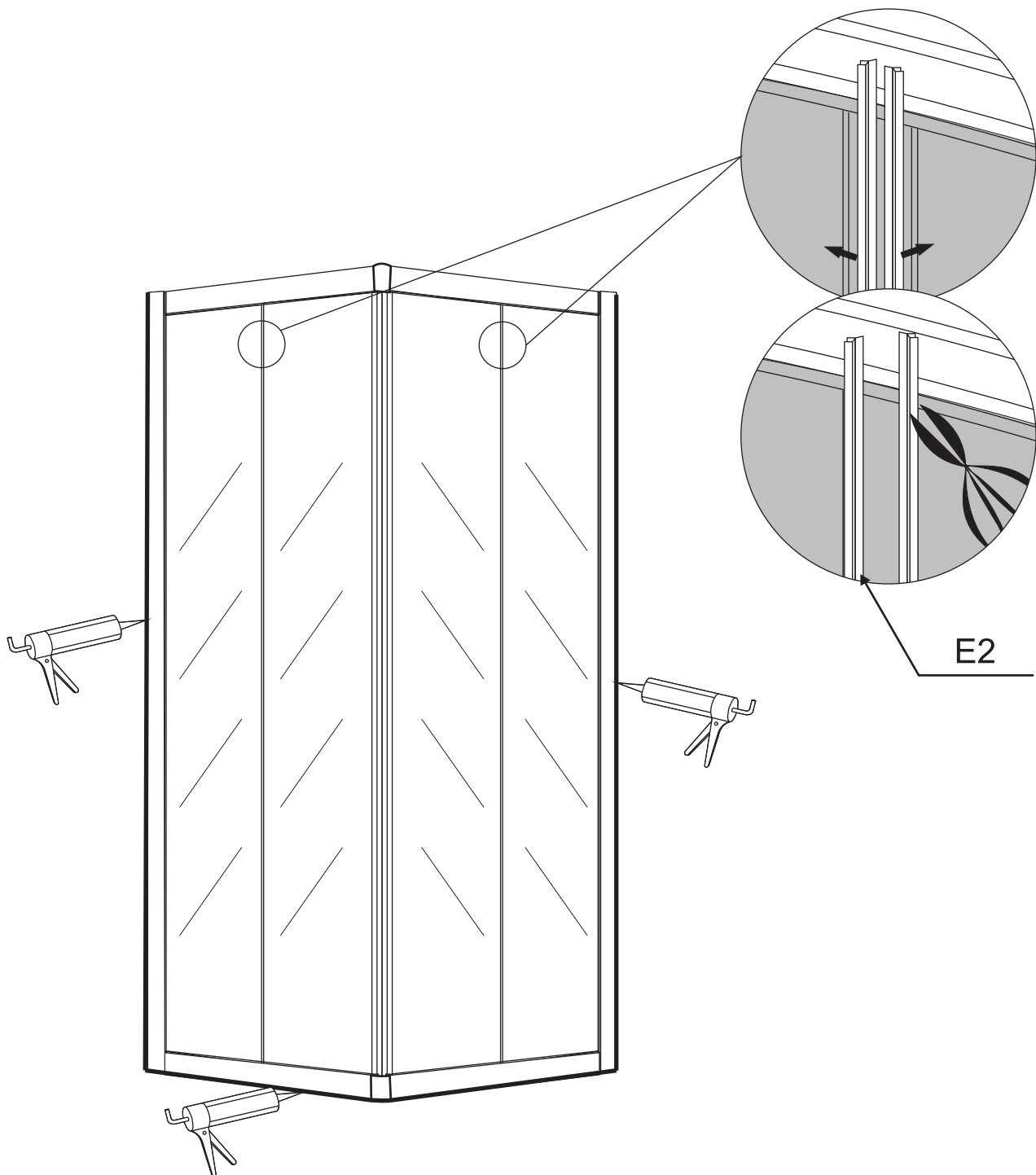
BR-020

Installation instructions



BR-020

Installation instructions



Warning: Don't use the shower enclosure until after at least 24 hours, so that the silica gel can be totally dry.