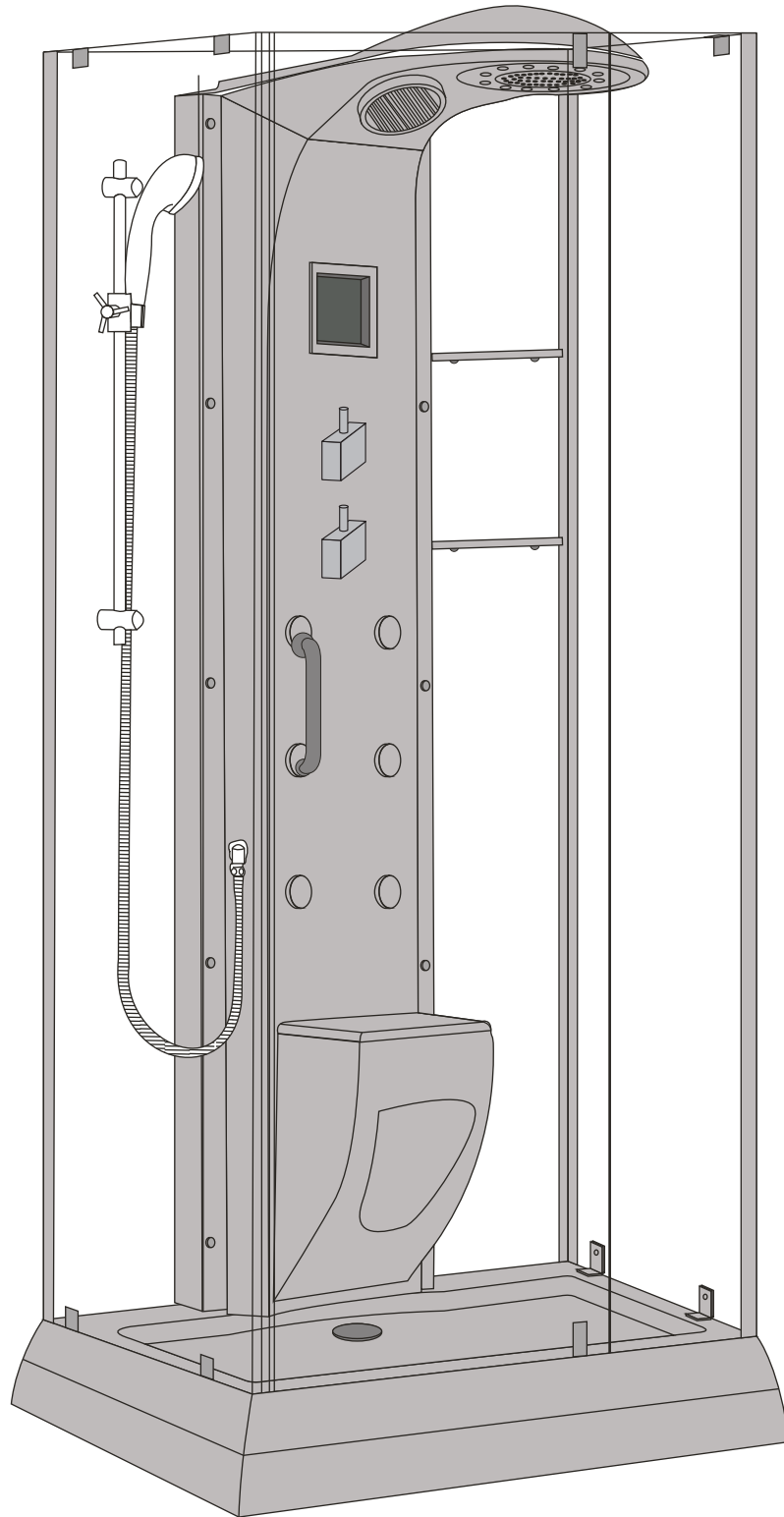


# HX-602

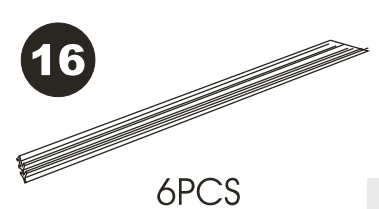
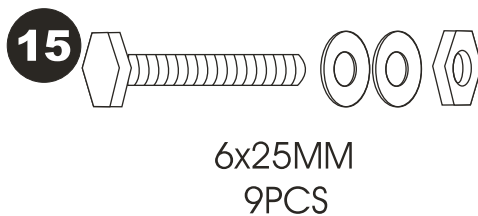
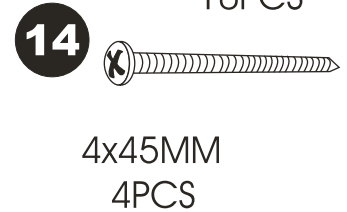
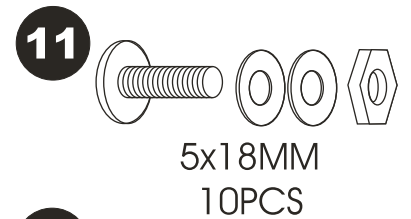
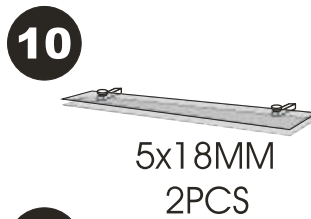
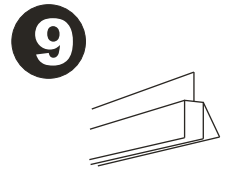
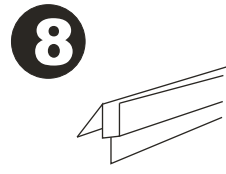
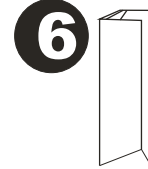
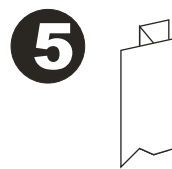
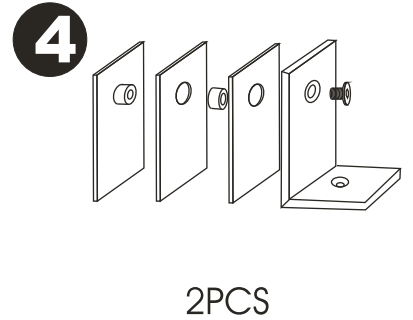
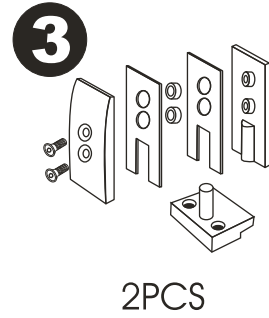
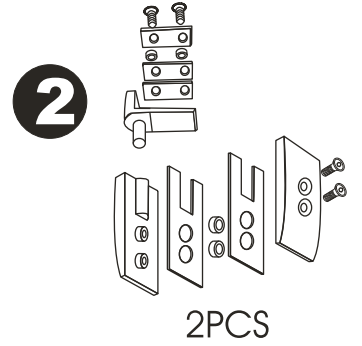
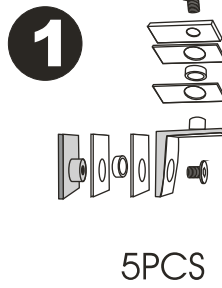
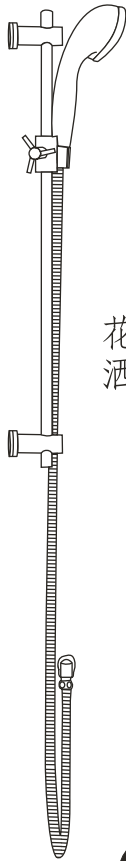
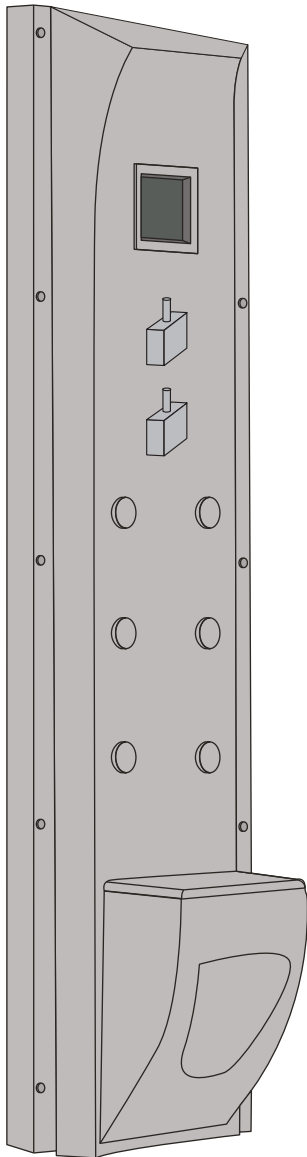
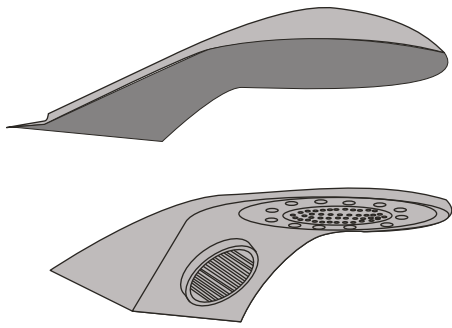
## Installation instructions



**SIZE:105\*105\*220 CM**

# HX-602

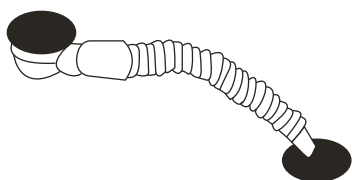
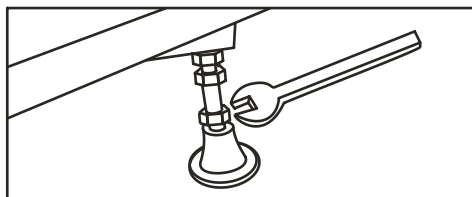
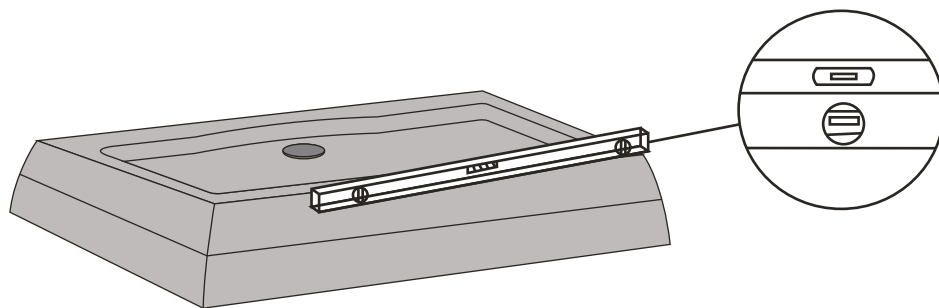
## Installation instructions



# HX-602

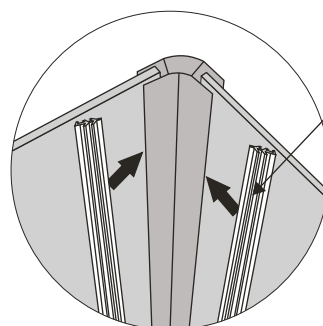
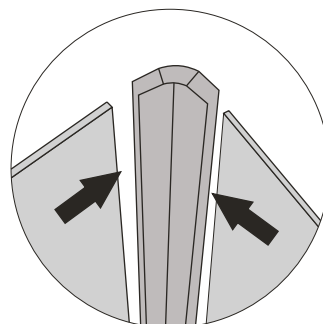
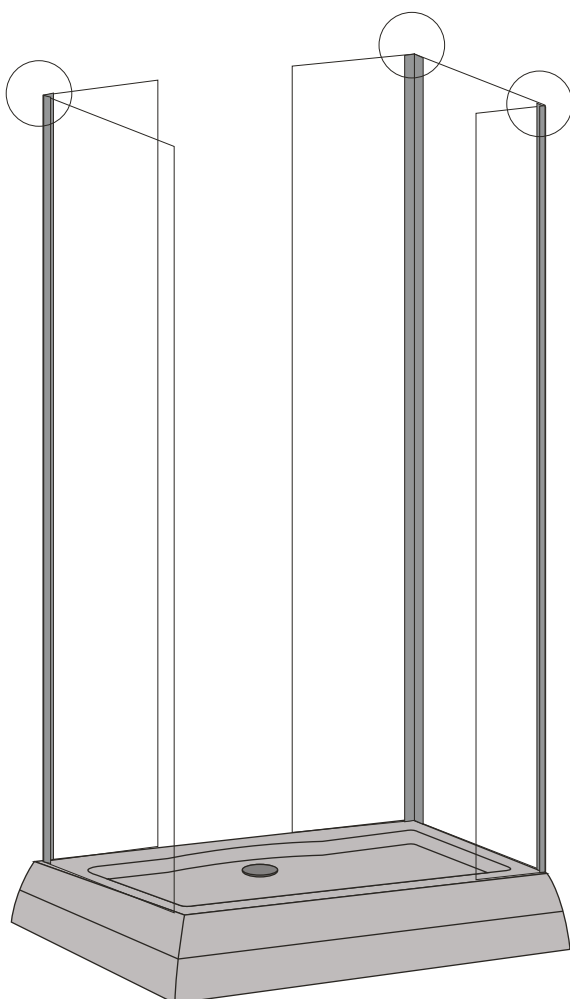
## Installation instructions

1.



Lift the rear part of bottom basin, and then insert one end of the pipe into the drainage hole

2.

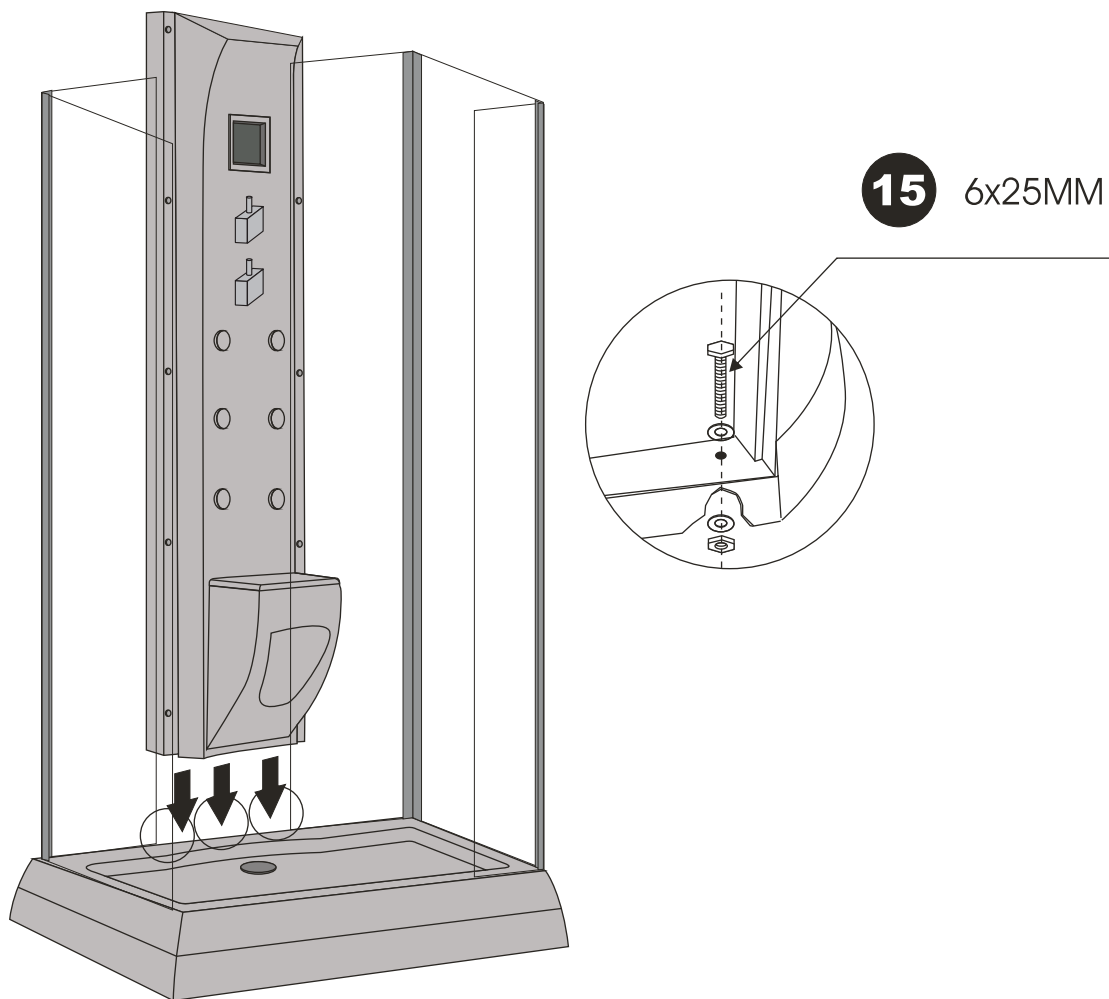


16

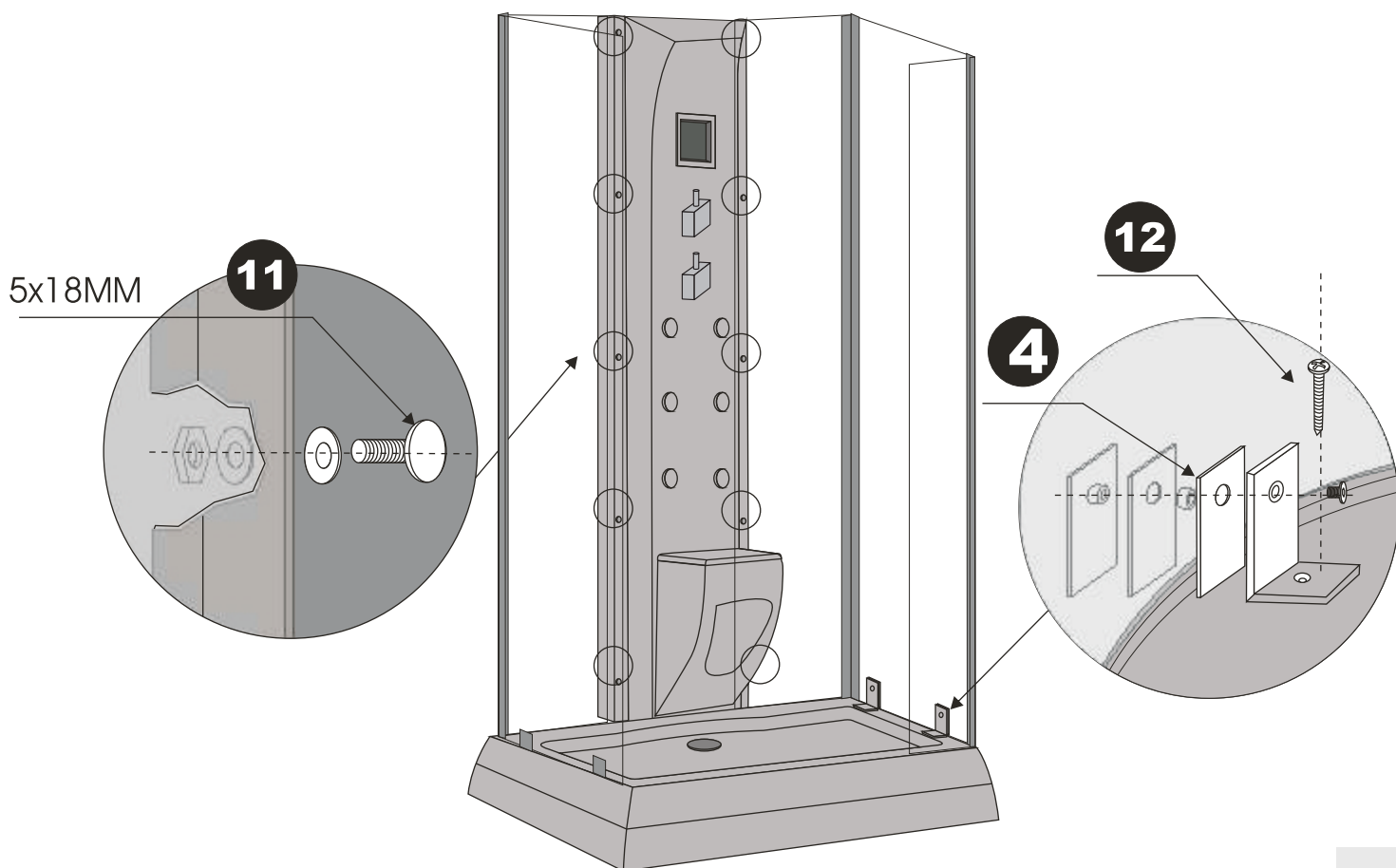
# HX-602

## Installation instructions

3.



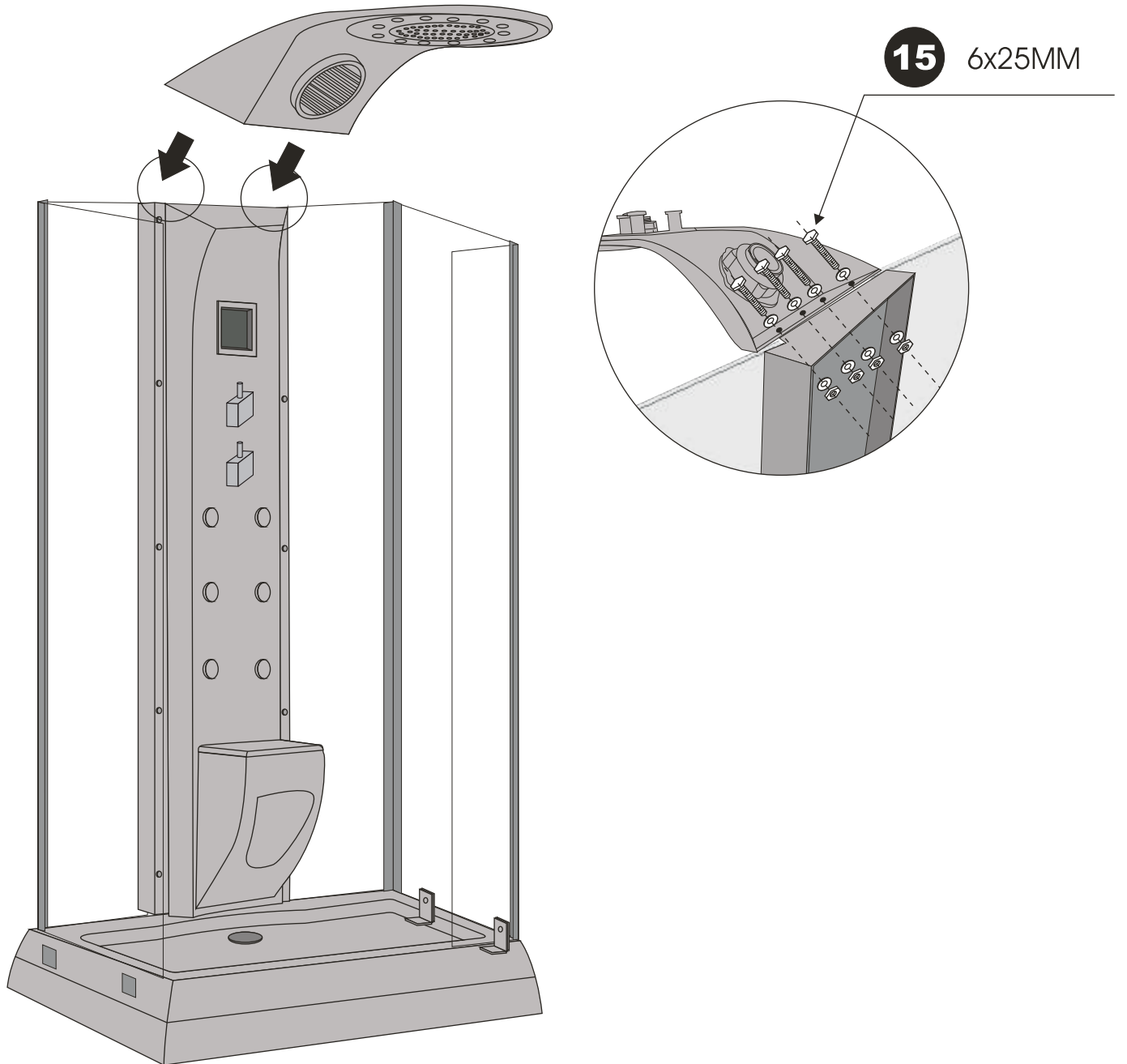
4.



# HX-602

## Installation instructions

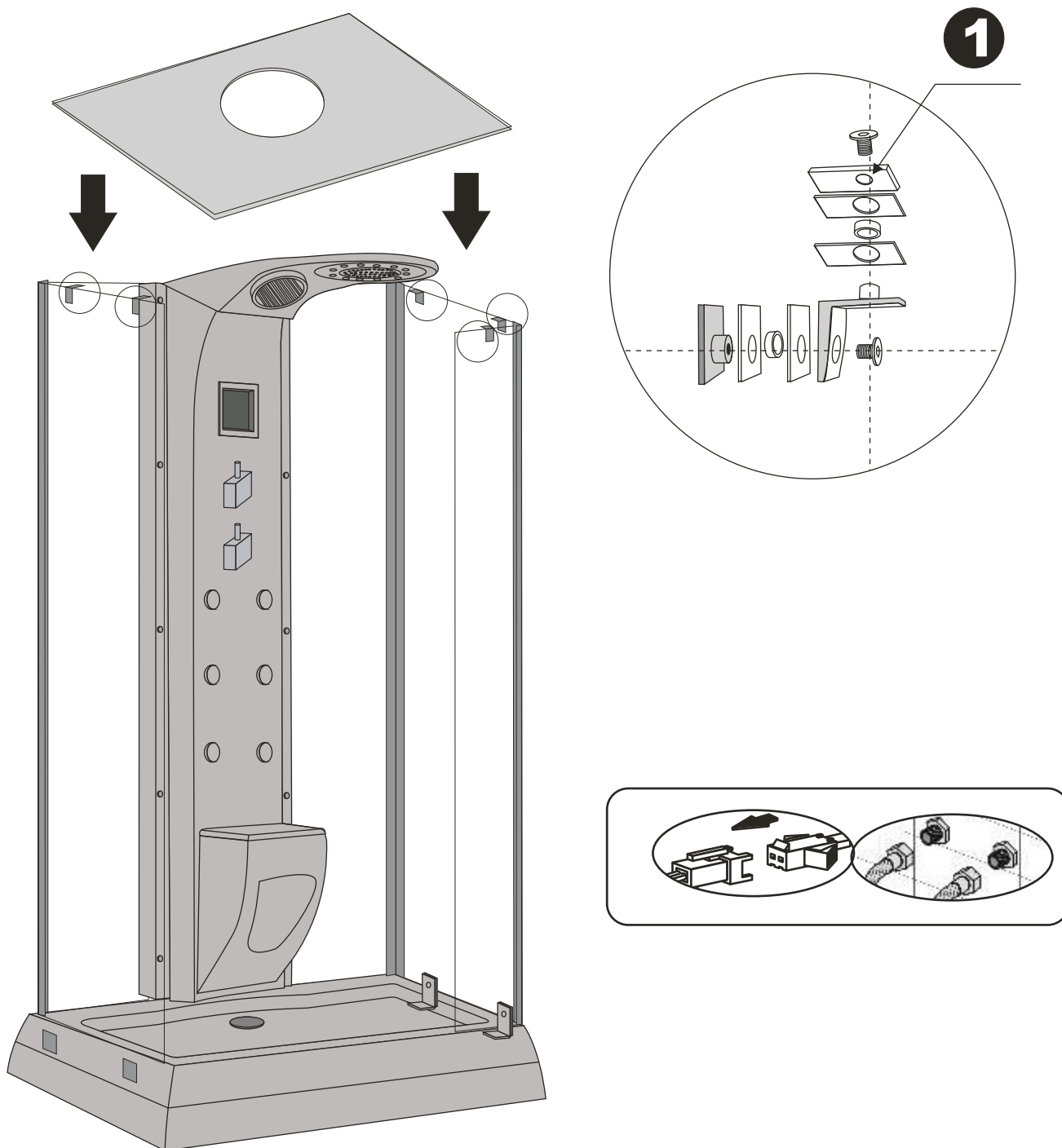
3.



# HX-602

## Installation instructions

6.

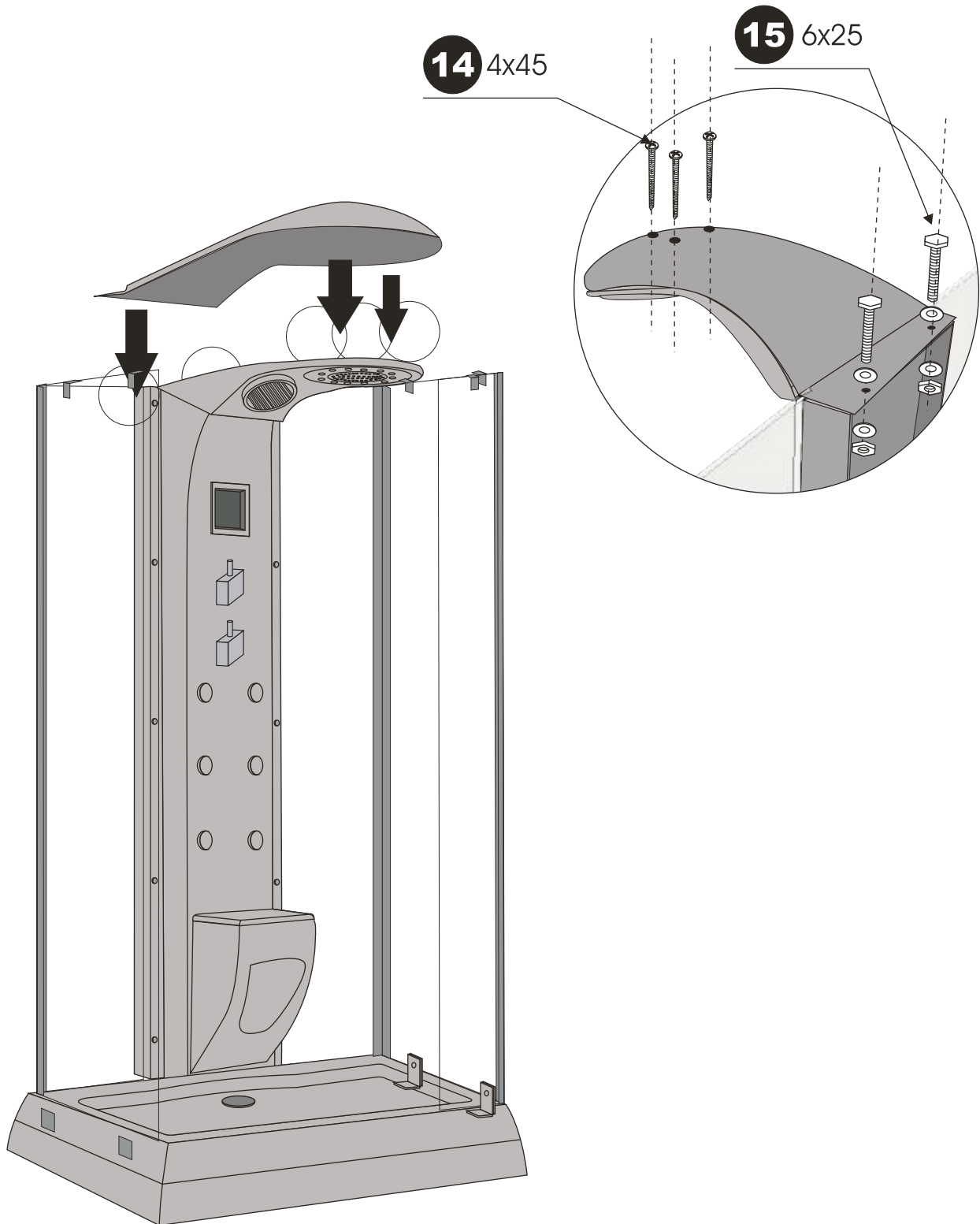


connect the electrical wire of bungalow, power and etc. correctly, connect the hose of head shower, hot water hose and cold water hose correctly, put the antenna to the top.

# HX-602

## Installation instructions

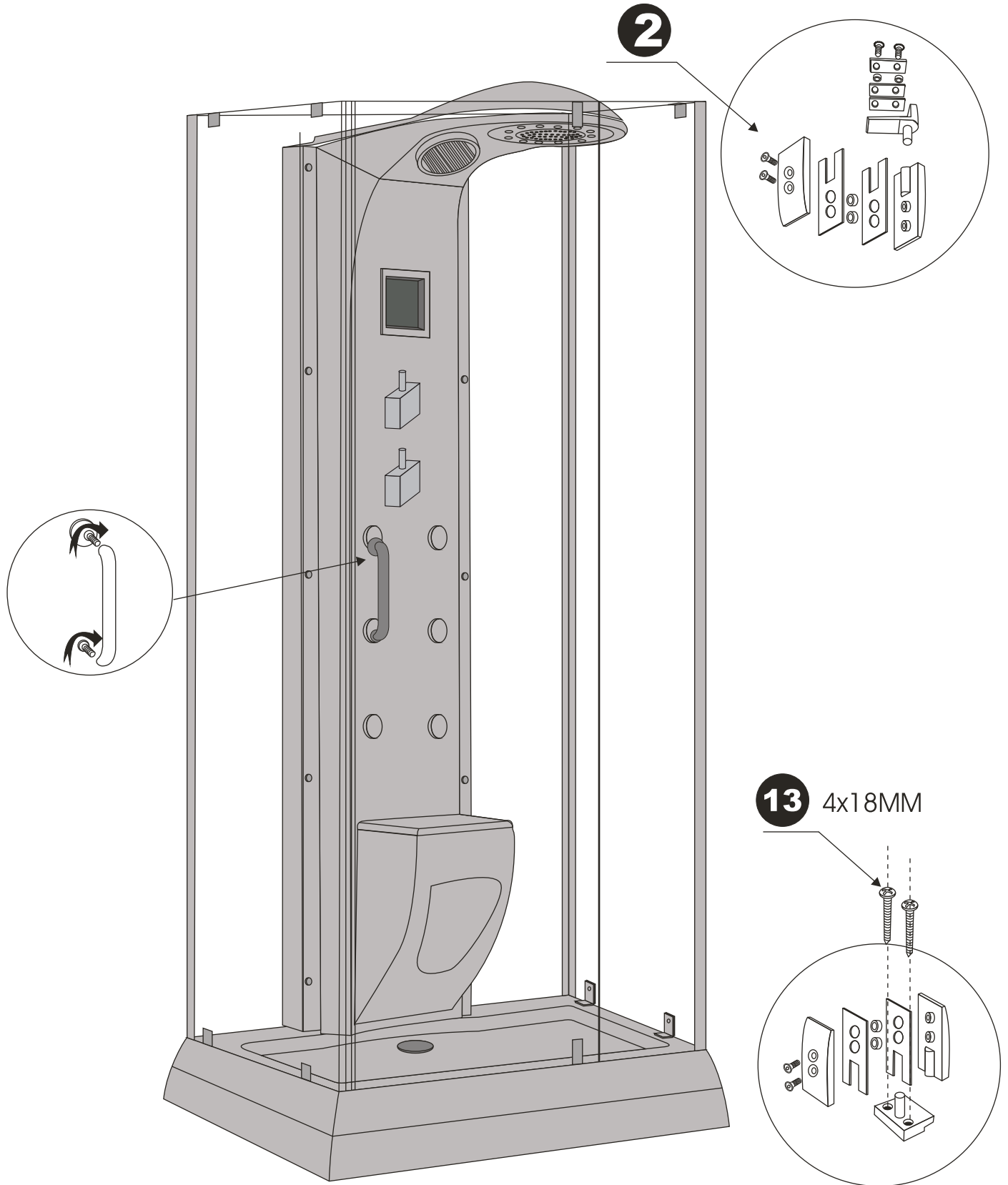
7.



# HX-602

## Installation instructions

8.

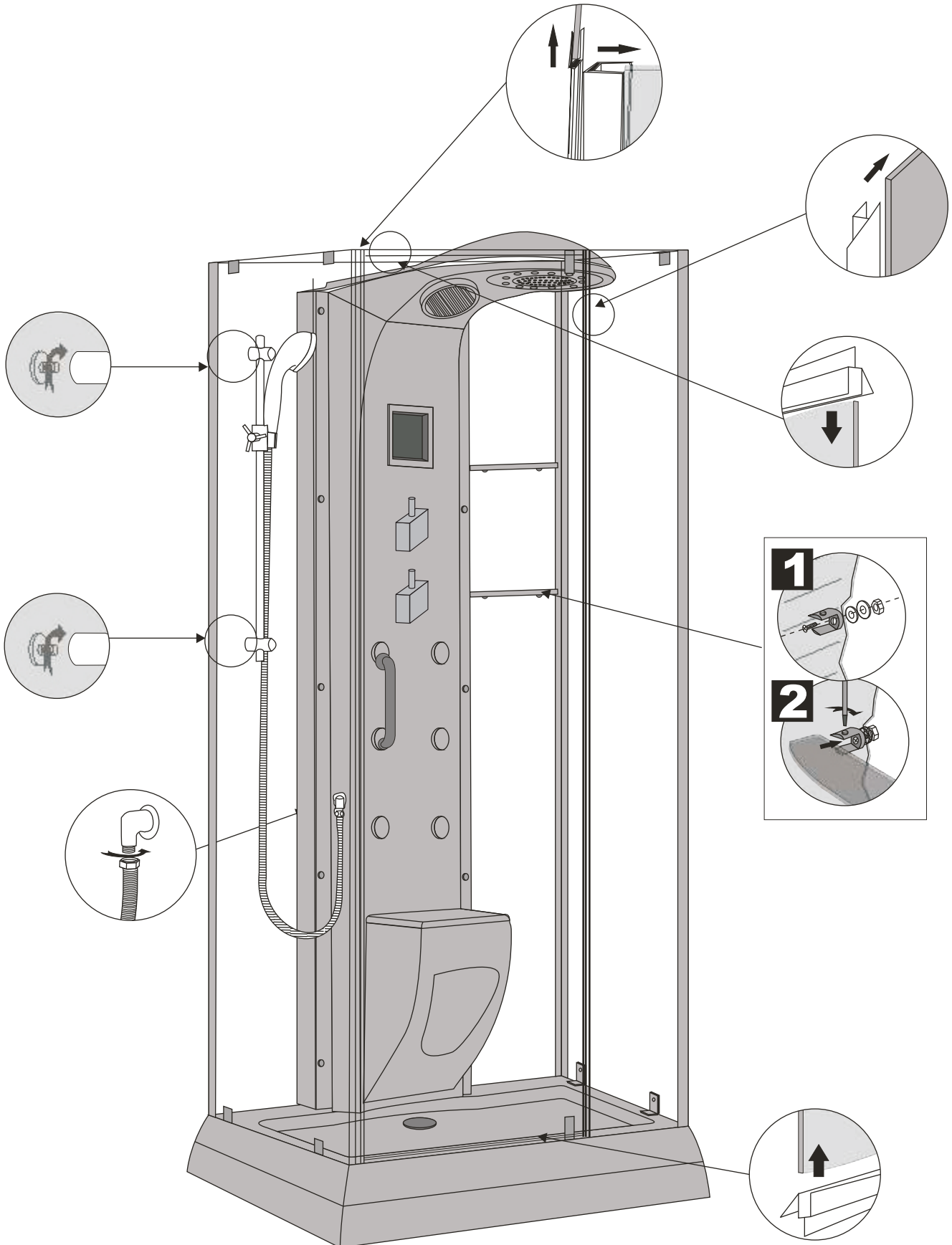




# HX-602

## Installation instructions

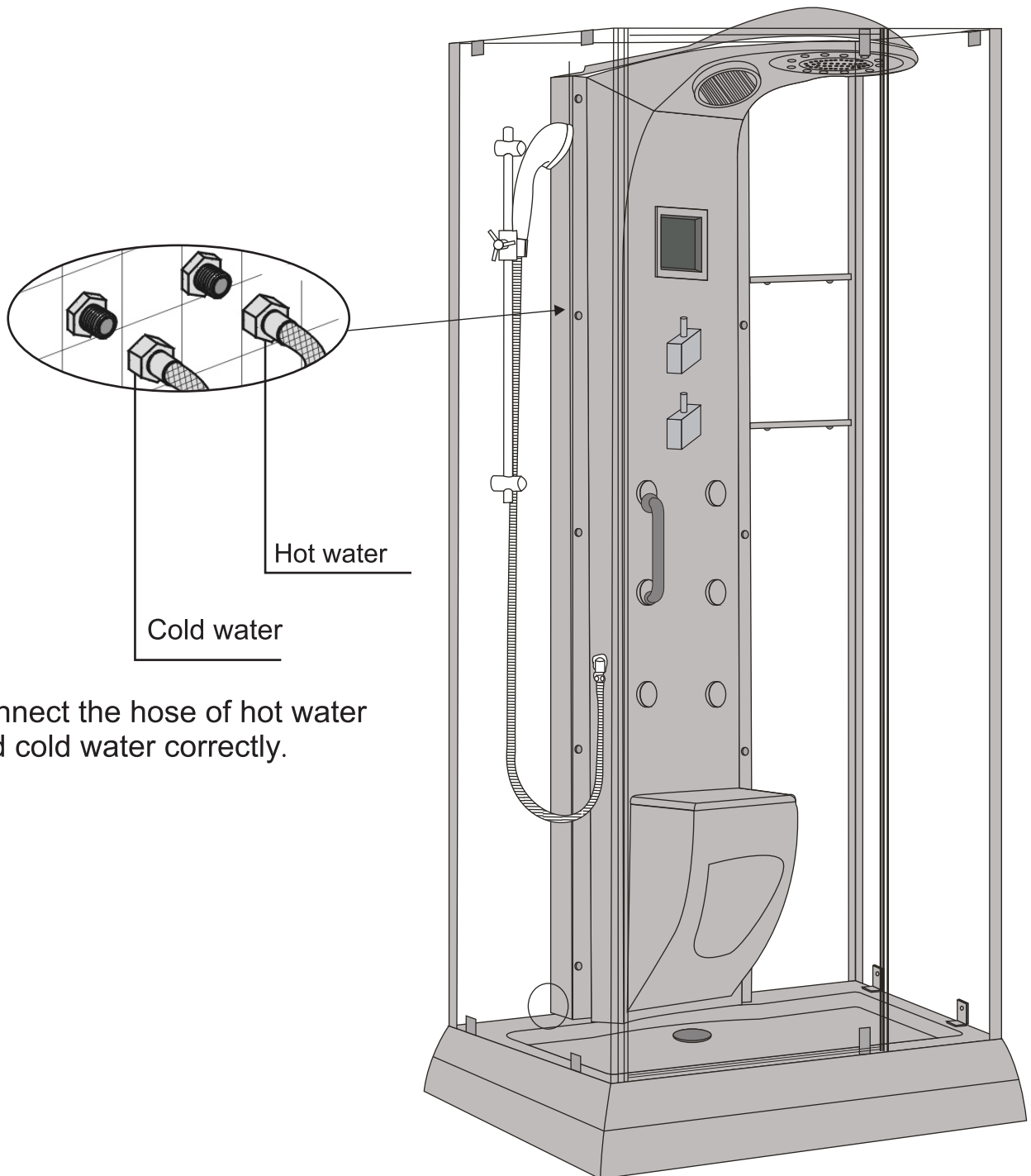
9.



# HX-602

## Installation instructions

9.



Hot water

Cold water

Connect the hose of hot water and cold water correctly.